

Bringing Reliability into the Classroom

NEW



Diverse, User-Friendly Design Combined with Outstanding Optical Performance



Ergonomic grip

- Ergonomic grips add safety when retrieving the microscope from high places.
- Colored grips indicate appropriate places to hold the microscope.
- Smooth, rounded design eliminates all sharp edges.
- The CX23 is one of the lightest weight microscope in its class, with a total weight of approx. 5.9 kg (13.01 lbs).

Lift

1



Angled arm enables comfortable carrying



Ergonomic grip for easy carrying

- The CX23 features a carrying arm angled to keep the wrists in a comfortable, neutral position.
- The eyepiece can be fixed in place to help prevent damage or loss when moved.
- A rackless stage and stage cover give safety and longtime operation.

Carry

2



Fixed eyepieces



Rackless stage and stage cover

- A locking pin keeps the observation tube in place.
- Interpupillary adjustment from 48 to 75 mm enables personalized comfort for individual users.
- Adjustable eyepoint provides greater comfort for users of different heights.
- Left and right diopter adjustment enable optimal focus for each eye.

Prepare

3



Convenient and easy access power cable storage



Locking pin for easy binocular rotation



Interpupillary adjustment



Eyepoint height adjustment

bestscientificweb.com

For more information, contact Best Scientific
t : +44 (0)1793 812 477 | e : enq@bestscientificweb.com

Operational Ease Across All Aspects of Use



Set Sample

4

- The inward-facing revolving nosepiece allows for more space above the stage, enabling the easy setting and exchanging of specimens or adding of oil for the immersion objective.
- Objectives with long working distances give safety on specimens.
- The focusing knob offers durable movement with a coaxial design to enable precise coarse- and fine-focus control. As a result, the stage can be quickly brought into focus by either the left or right side knob.
- A torque release function prevents damage in case excess force is applied to the coarse focusing knob or stage knob.



Inward-facing revolving nosepiece

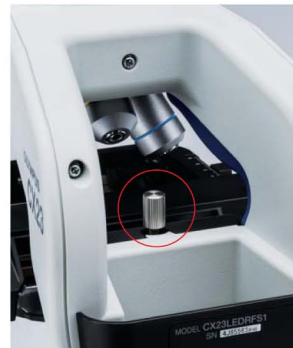


Coaxial knobs

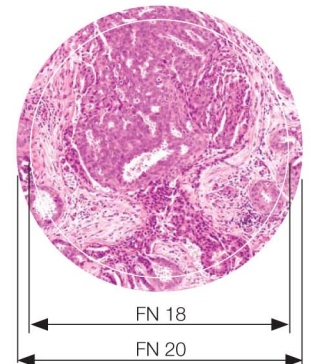
Observe

5

- The focus lock prevents objectives and specimen from any damage.
- Field number (FN) of 20 ensures a wide field of view.
- The CX23 features plan achromat objectives that preserve outstanding image flatness throughout the field of view.
- The LED light source provides long service time 20,000 hours, and offers low power consumption. Also, its reduced blue color preserves vivid colors on HE staining.



Focus lock



Wide field of view

Store

6

- A storage compartment on the back of the CX23 makes it easy to stow the power cable after use.
- An optional dedicated wooden case is also available.
- A built-in security slot allows attachment of an anti-theft cable for when the CX23 is left unattended.



Cable storage compartment



Built-in security slot

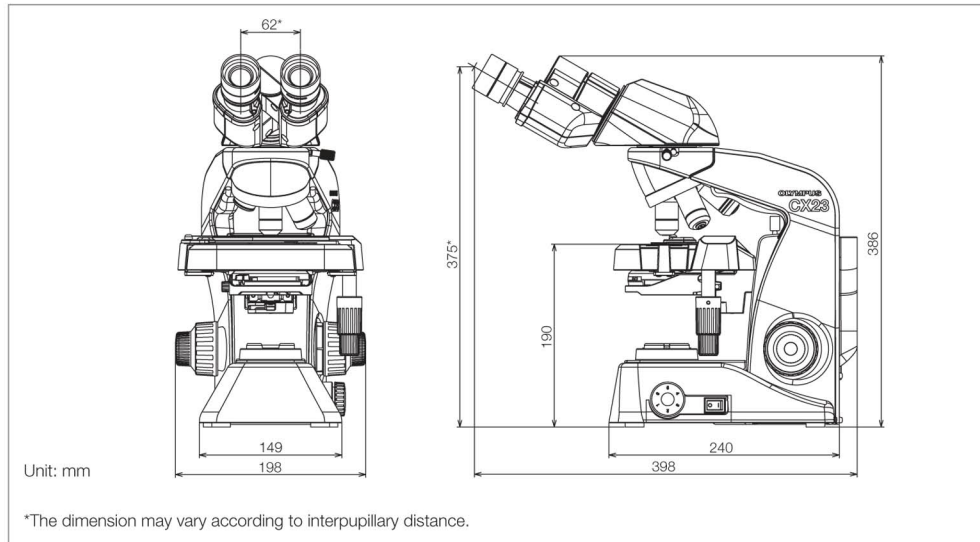
bestscientificweb.com

For more information, contact Best Scientific
t : +44 (0)1793 812 477 | e : enq@bestscientificweb.com

CX23 SPECIFICATIONS

Model	CX23LEDRF (S1/S2)
Body	Aluminum die-casting metal frame, Protective covering
Optical System	Infinity optical system
Illumination System	Built-in transmitted illumination system, LED Power Consumption 0.5 W (nominal values)
Focusing	Stage height movement (coarse movement stroke: 15 mm), coarse adjustment limit stopper, Torque adjustment for coarse adjustment knob, Fine focus knob (minimum adjustment gradations: 2.5 µm)
Revolving Nosepiece	Fixed quadruple nosepiece
Stage	Wire movement mechanical fixed stage Traveling range: 76 mm (X) x 30 mm (Y), Specimen holder, Specimen position scale
Observation Tube	30° inclined binocular tube Interpupillary distance adjustment range: 48 – 75 mm, Eyepoint adjustment: 370.0 – 432.9 mm
Objectives	Plan achromat, anti-fungus 4x NA: 0.10 W.D.: 27.8 mm 10x NA: 0.25 W.D.: 8.0 mm 40x NA: 0.65 W.D.: 0.6 mm 100xOil NA: 1.25 W.D.: 0.13 mm (CX23LEDRFS1 only)
Eyepiece (10x)	Field Number (FN): 20 (anti-fungus)
Optional Accessories	Reflection mirror (CH20-MM), 15x eyepiece (WHSZ15X-H: FN 12, anti-fungus), Dedicated wooden case, Eyepiece micrometer, Darkfield stop (CH2-DS+CH2-FH)
Weight	Approx. 5.9 kg
Rated Voltage/Electric Current	AC 100–240 V 50/60 Hz 0.4 A
Power Consumption	Less than 2 W

DIMENSIONS



Dedicated wooden case (optional)

Specimen courtesy of :
 JAPANESE FOUNDATION FOR CANCER RESEARCH
 Cancer Institute, Cancer Institute Hospital
 Department of Pathology
 Futoshi Akiyama, M.D., Ph.D.
 Yuichi Ishikawa, M.D., Ph.D.

OLYMPUS®

bestscientificweb.com

For more information, contact Best Scientific
 t : +44 (0)1793 812 477 | e : enq@bestscientificweb.com